

MINI SPEC

Excerpts from General Provisions & Specifications for the Construction of Sanitary Sewers (Revised December 2019)



21040 Marshall Street
Castro Valley, CA 94546
(510) 537-0757 | contact@cvsan.org
www.cvsan.org

MATERIAL

Two-way Cleanout:

- Cast Iron Pipe (CIP)
- High Density Polyethylene (HDPE)



Backflow Preventer:

- Polyvinyl Chloride (PVC)
- Acrylonitrile Butadiene Styrene (ABS)



Bedding:

- Clean Crushed Rock 3/4"

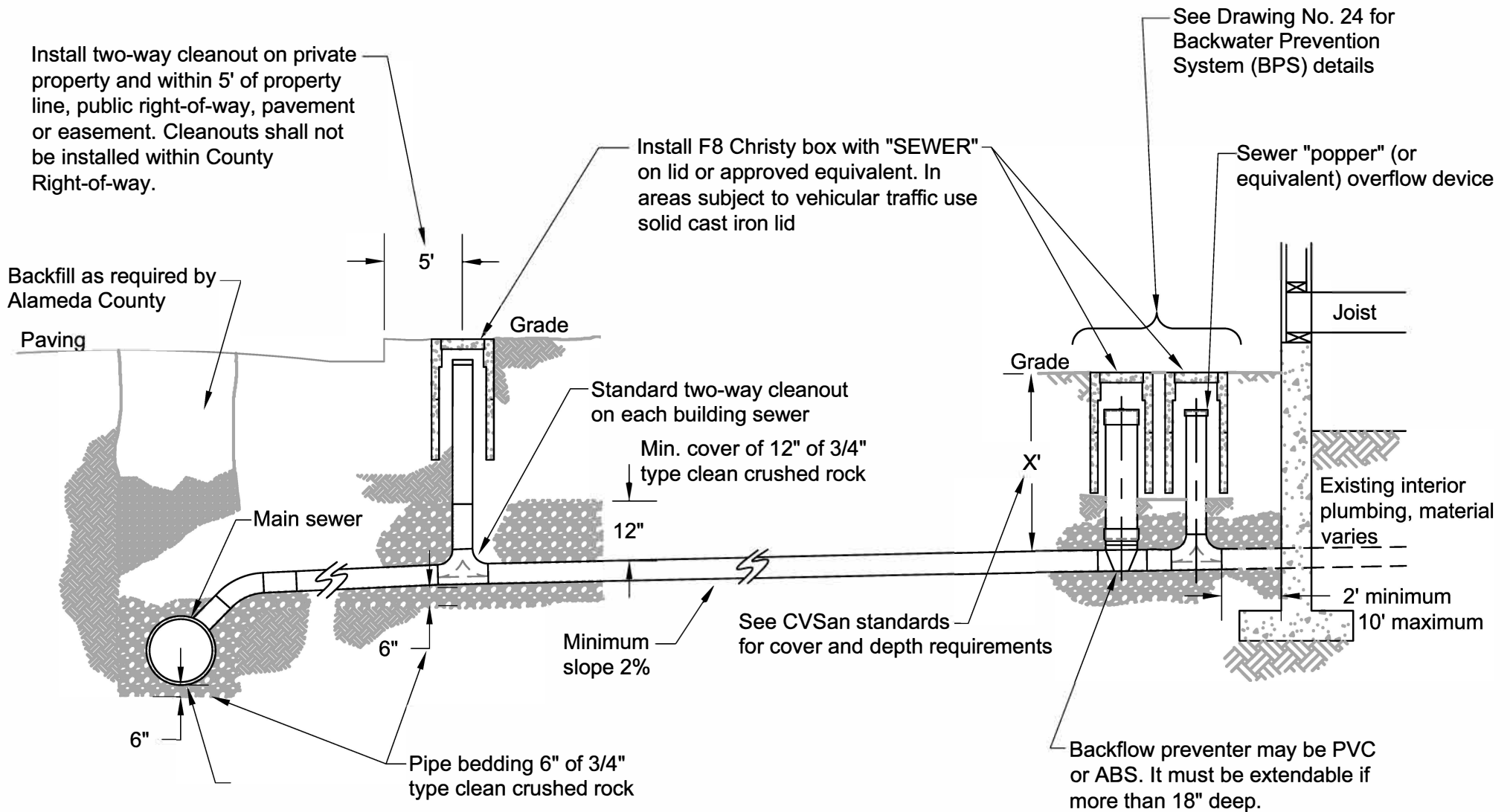


PIPE SIZE

- 4" diameter minimum for individual gravity building sewers (lateral)
- 2" diameter minimum for conventional pump residential force main system
- 1.25" diameter minimum for grinder pump residential force main system
- 8" diameter minimum for public (CVSan maintained) collector sewers

Lateral:

- High Density Polyethylene (HDPE SDR-17):
 - On building sewers subject to CVSan Code Specifications
 - On all residential forced main systems
 - Where cover is greater than 4 feet in areas subject to vehicular loadings
 - Where cover is greater than 2 feet in areas not subject to vehicular loadings
 - Where pipe slope is less than 20%
- Vitrified Clap Pipe (VCP):
 - On all gravity public collector sewers and building sewers (laterals)
 - Where cover is greater than 4 feet in areas subject to vehicular loadings
 - Where cover is greater than 2 feet in areas not subject to vehicular loadings
 - Where pipe slope is less than 20%
- Ductile Iron Pipe (DIP) or Cast Iron Pipe (CIP):
 - Where cover is greater than 4 feet in areas subject to vehicular loadings
 - Where cover is greater than 2 feet in areas not subject to vehicular loadings
 - Where pipe slope is less than 20%



OTHER REQUIREMENTS

- Minimum 1' separation from other lateral or utilities
- Bends of more than 45 degrees require installation of a cleanout

TESTING REQUIREMENTS

1. Prior to backfilling
2. Air or water test performed to CVSan Standards

All sanitary sewer construction must comply with the Castro Valley Sanitary District Code, General Provisions and Specifications for Construction of Sanitary Sewers, and CA Uniform Plumbing Code.

Castro Valley Sanitary District
21040 Marshall Street
Castro Valley, CA 94546

**TYPICAL BUILDING SEWER (LATERAL)
PROFILE VIEW**

Drawn By: MRK
Date: 03-29-2019
Checked By: LML
Approved By: RPW
Scale: NTS

Drawing No. 9